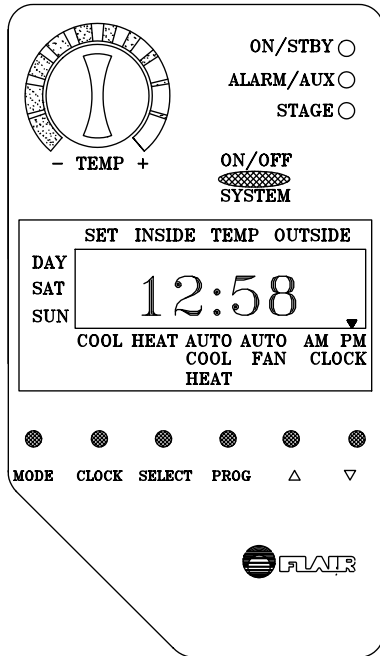


## ELECTRONIC PROGRAMMABLE HEAT PUMP THERMOSTAT *series TP31*

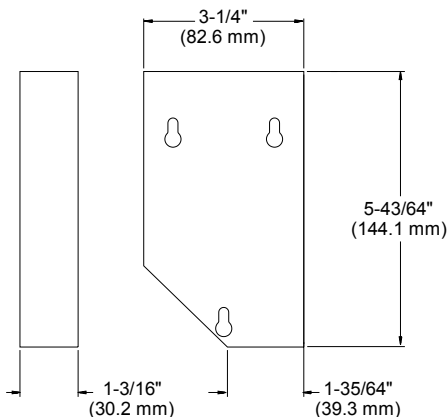
For central (main) control of heating and cooling heat pump systems.



### BENEFITS & SPECIAL FEATURES

- 4 daily programs for M-F, Sat. and Sun.
- Digital 12/24 hour real time clock.
- 4 minute automatic time delay for compressor protection.
- Ten year lithium battery for back up during power outages.
- Easy programming—Easy setting.
- Large, easy to read, LCD display.
- Temperature display—set point, inside and outside air—in F° or C°.
- System status indicators.
- Learned response feature adjusts for changing climate.
- Manual on/off override.
- Temporary override with automatic resumption of program.
- Vacation mode—up to 365 days.
- Electronic program and temperature limiting and locking.
- Low and high limit temperature alarms can activate a dry contact to switch an external control.
- Remote temperature sensor (optional).
- Auto-changeover (heating/cooling).
- Continuous (on) or intermittent (auto) fan.

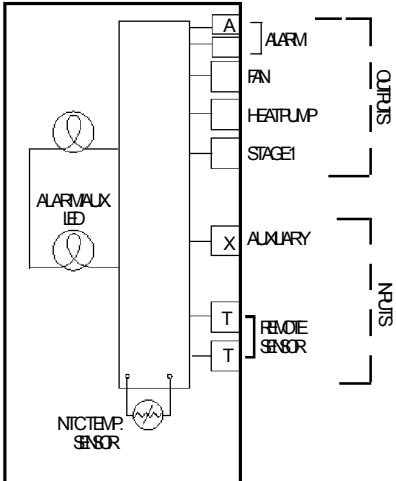
### DIMENSIONS



### SPECIFICATIONS

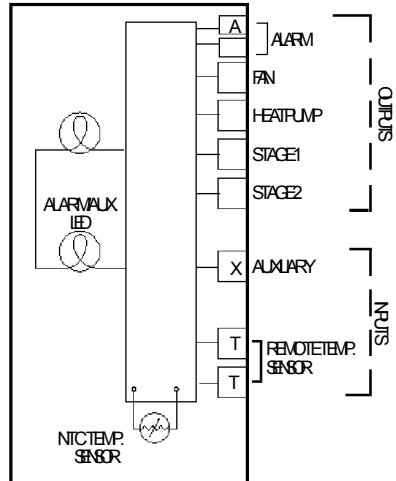
Operating Voltage:	24 vac (-15%, +10%, 50-60 Hz)
Temperature Range:	50°F - 90°F (10°C - 32°C)
Temperature Differential:	
Heating:	approximately ±0.8°F (.4°C)
Cooling:	approximately ±0.8°F (.4°C)
Between stages:	2° F (.8° C)
Dead Band:	4°F (2.2° C)
Sensor System:	Negative Temperature Coefficient (NTC)
Standard:	internal
Optional:	remote temperature
Optional:	return air temperature
Optional:	outside air temperature
Compressor Protection:	4 minute time delay
Switches:	
Push-button:	MODE/CLOCK/SELECT/PROG/UP/DOWN
Push-button:	SYSTEM: ON/OFF
Rotating:	set TEMPERATURE
Indicator LED's:	ON (Steady Green) / STBY (Flashing Green)
	ALARM (Flashing Red) / AUX (Steady Red)
Staging (orange):	Stage One (Off); Stage Two (On); Stage Three (Flashing)
Display:	LCD, 4 character, .5" (1.27 cm) height.
Security:	Electronic temperature limiting and locking. Program locking.
Dimensions:	5 <sup>43</sup> / <sub>64</sub> x 3 <sup>1</sup> / <sub>4</sub> x 1 <sup>3</sup> / <sub>16</sub> Inches (144.1 x 82.6 x 30.2 mm)

# MODEL NUMBERS AND DESCRIPTIONS FOR VARIOUS APPLICATIONS



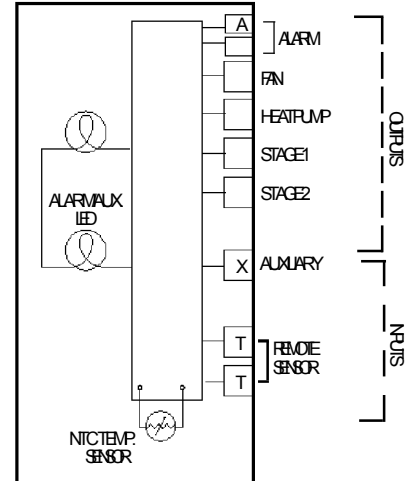
Model Number: TP311120  
Description: 1 stage heat, 1 stage cool

Switching Current at 24 VAC:  
Cooling: 1 Amp  
Heat Pump: 1 Amp  
Fan: 1 Amp  
Alarm: 1 Amp  
Auxiliary: 1 Amp  
Weight: .4 lbs. (880 g)



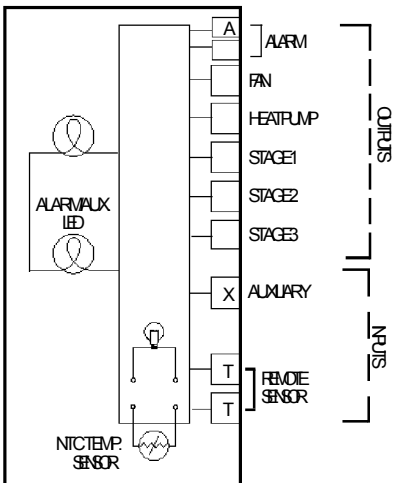
Model Number: TP312120  
Description: 2 stage heat, 1 stage cool

Switching Current at 24 VAC:  
Cooling: 1 Amp  
Heat Pump: 1 Amp  
Heating: 1 Amp  
Fan: 1 Amp  
Alarm: 1 Amp  
Auxiliary: 1 Amp  
Weight: .4 lbs. (880 g)



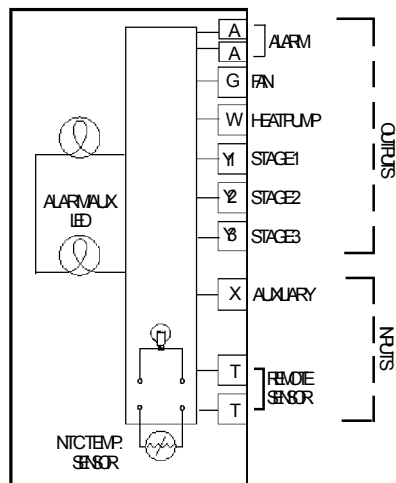
Model Number: TP312220  
Description: 2 stage heat, 2 stage cool

Switching Current at 24 VAC:  
Cooling 1: 1 Amp  
Cooling 2: 1 Amp  
Heat Pump 1: 1 Amp  
Heating: 1 Amp  
Fan: 1 Amp  
Alarm: 1 Amp  
Auxiliary: 1 Amp  
Weight: .4 lbs. (880 g)



Model Number: TP313120  
Description: 3 stage heat, 1 stage cool

Switching Current at 24 VAC:  
Cooling: 1 Amp  
Heat Pump 1: 1 Amp  
Heating: 1 Amp  
Heating: 1 Amp  
Fan: 1 Amp  
Alarm: 1 Amp  
Auxiliary: 1 Amp  
Weight: .4 lbs. (880 g)



Model Number: TP313220  
Description: 3 stage heat, 2 stage cool

Switching Current at 24 VAC:  
Cooling 1: 1 Amp  
Cooling 2: 1 Amp  
Heat Pump 1: 1 Amp  
Heating: 1 Amp  
Heating: 1 Amp  
Fan: 1 Amp  
Alarm: 1 Amp  
Auxiliary: 1 Amp  
Weight: .4 lbs. (880 g)

## ACCESSORIES

Remote Temperature Sensor	TX101001
Return Air Temperature Sensor	TX101011
Outside Air Temperature Sensor	TX101021
Backplates may be used to cover large holes in walls or mount to utility boxes:	
horizontal	TX201001
vertical	TX202001
square	TX203001

## REFERENCES

For More Information On:	See:
Remote version	TQ31 sheet
Wiring, jumper, potentiometer settings and applications	Instruction sheet
Other thermostats	This section
Zone Actuators	Star Actuator section
Zone Valves	Star Valve section
Wiring Panels	Control Panels section
Warranty & pricing	Pricing & Terms section

Indicates this output is protected by a switched 4 minute time delay



Flair pursues a policy of constant improvement. For this reason, all specifications are subject to change without notice.

**FLAIR**

FLAIR INTERNATIONAL CORPORATION

600 Old Willets Path • Hauppauge, New York 11788 • Tel: (516) 234-3600 • Fax: (516) 234-3610